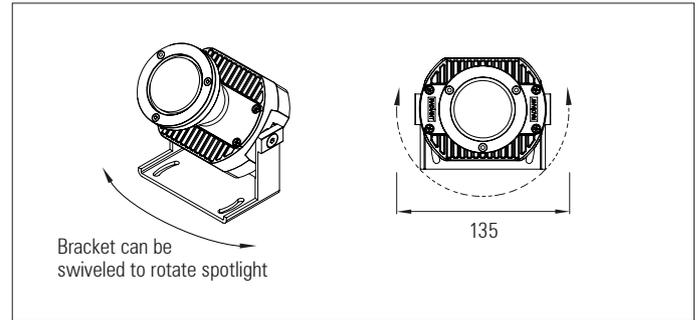
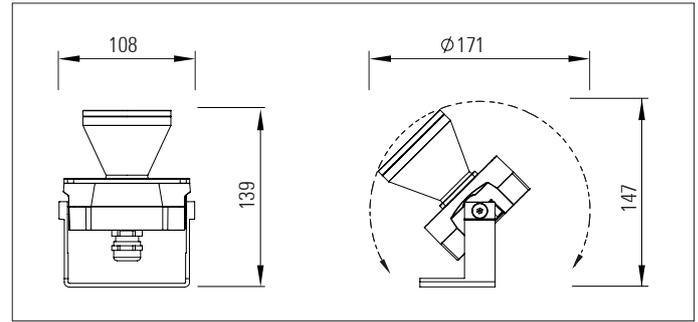


## D100 IP66 Spotlight

1 x high-power LED with 4° beam lens

Exterior LED spotlight range



### D100 IP66 Spotlight with 1 x high-power LED with 4° beam lens

Exterior LED spotlight range with integral LV DC to DC driver or remote AC to DC driver and extremely narrow beam with oval option for creative decorative lighting

#### Product description:

The D 100 IP66 spotlight range was developed for use in architectural, landscape and garden lighting applications, which require powerful, highly controlled lighting effects

Each spotlight comprises of: 1 x Cree XHP35 HI LED with a LEDIL LEIA lens system which produces a 4° spotlight beam

An additional sublens can produce a narrow high-aspect (50° + 5°) oval beam

Up to 10 Watts per spotlight

Rotatable in two axes using the adjustable angle brackets. Other mounting brackets are also available including custom designs to meet project requirements

Both integral LV DC to DC driver and remote AC to DC driver versions are available - internal driver boards are potted in silicone resin

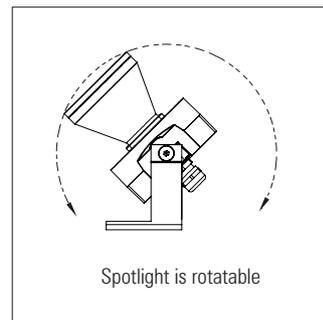
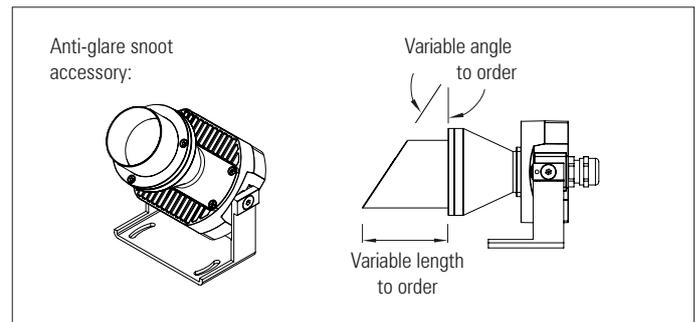
Dimming options available: 1-10V, DMX and DALI. Separate dimming channel

Various LED colour temperature and CRI options available

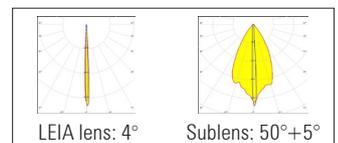
Satin black, satin white or any RAL paint colour finish

Custom anti-glare snoot accessories can be specified - ensuring excellent visual comfort

Low iron UV block glass covers or UV stable polycarbonate window



Up to 670 Lumens per spotlight



Product Code	IP	LED Type	Colour Temp. (K)	CRI	Optics (°)	Anti-glare Snoot	Fixing Type	Cover	Finish
D100 IP66 4° LENS REMOTE DRIVER	66	Cree:  XHP35 HI	27=2,700k	80	LEDIL LEIA lens:	Cut-angle: 0° - 75° (increments of 5°)	Adjustable angle	Low iron UV block glass	Black
			30=3,000k		Ultra-narrow 4° spot beam				
			35=3,500k	90	+ sublens:	Custom height adjustable angle (specify leg height)	UV stable PC	Any RAL colour	
			40=4,000k		Ultra-narrow 50° + 5° oval beam				Custom solution
D100 IP66 4° LENS INTEGRAL DRIVER			45=4,500k						
			50=5,000k						